



# 2012 CATALOG

High Pressure  
Water Pump Parts

*Accessories*

*Control Guns*

*Fittings*

*Rigid Lances*

*Flex Lances*

*Hoses*

*Nozzles*

*Pump Parts*

**"WEATHERFORD  
TYPE" FLUID ENDS**



**Salomon Jetting Parts B.V.**

Hoeksedijk 109, 3299 AE Maasdam, The Netherlands

Tel: +31(0)88 126 1900 Fax: +31(0)88 126 1999

e-mail: [info@salomonjettingparts.com](mailto:info@salomonjettingparts.com)

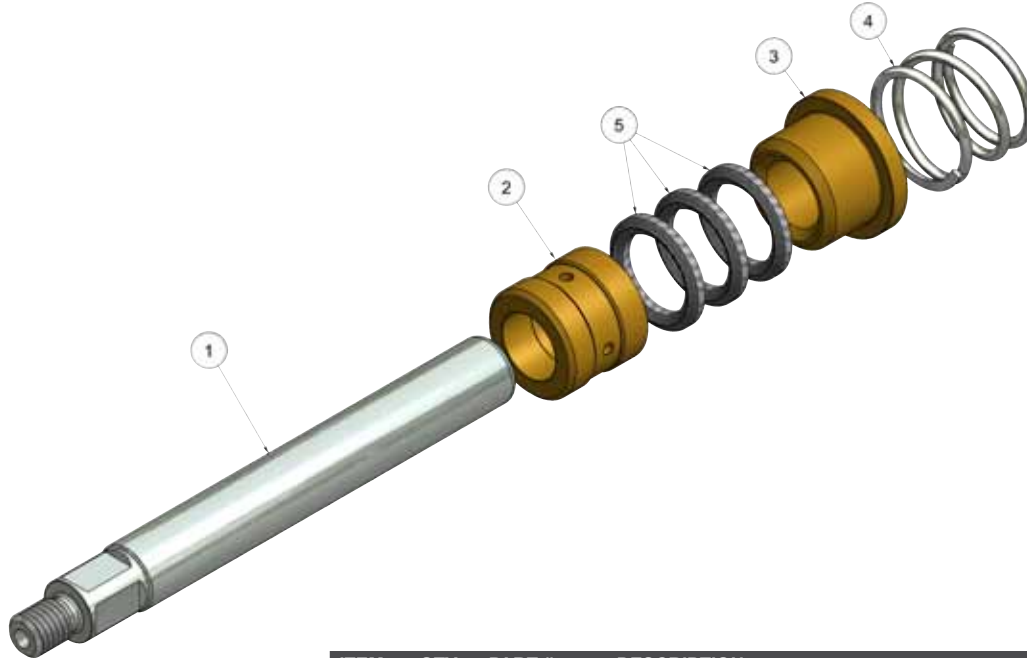
web: [www.salomonjettingparts.com](http://www.salomonjettingparts.com)

# "WEATHERFORD TYPE" PUMP PARTS - FE-85 & FE-145

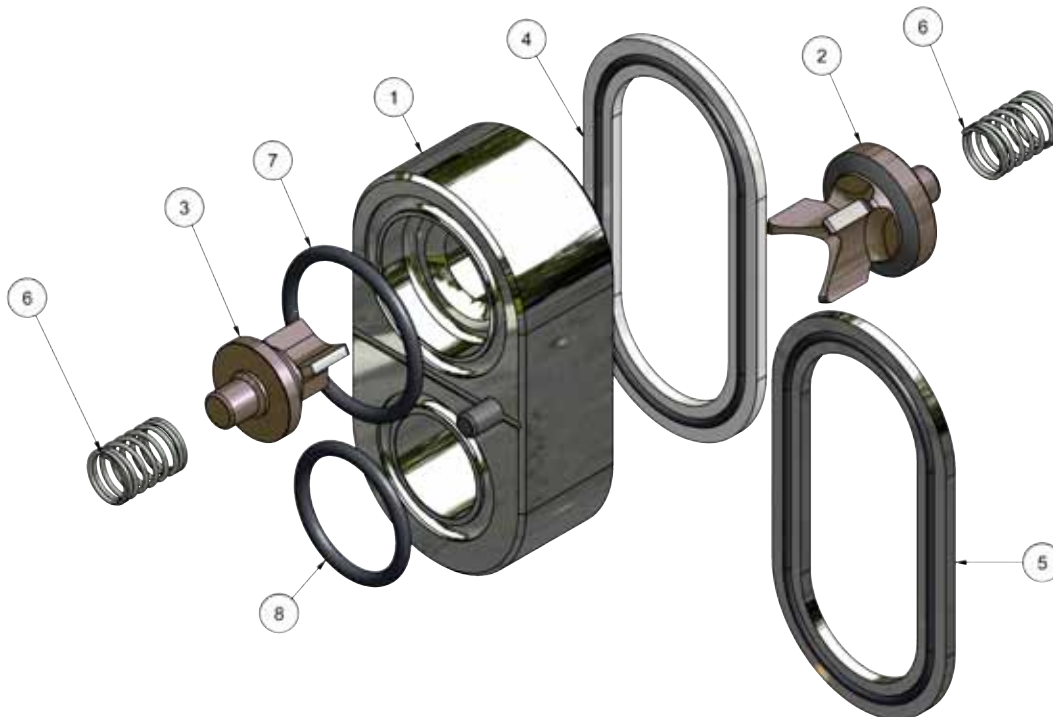
## Replacement Plunger Assemblies For Weatherford FE-85 & FE-145 Fluid Ends

### PLUNGER DIAMETER & APS Part No. (Weatherford Part No.)

ITEM	DESCRIPTION	1 3/16"	7/8"	15/16"	1-1/16"	1-3/16"
1	Plunger (Colmonoy)	25-002-300 - (431083-001)	25-002-301 - (431084-001)	25-002-302 - (431085-001)	25-002-303 - (431086-001)	25-002-304 - (431087-001)
1A	Plunger/SS (Weatherford Type)	25-002-305	25-002-306	25-002-307	25-002-308	25-002-309
2	Rear Bushing	25-002-200 - (431091-001)	25-002-201 - (431093-001)	25-002-202 - (431095-001)	25-002-203 - (431097-001)	25-002-204 - (431099-001)
2A	Rear Bushing (Oil Lube)		25-002-221 - (431093-002)			
3	Front Bushing	25-002-205 - (431090-001)	25-002-206 - (431092-001)	25-002-207 - (431094-001)	25-002-208 - (431096-001)	25-002-209 - (431098-001)
4	Packing Spring	25-002-500 - (411095-001)	25-002-500 - (411095-001)	25-002-500 - (411095-001)	25-002-500 - (411095-001)	25-002-500 - (411095-001)
5	Packing Set	25-002-100 - (431211-001)	25-002-101 - (431164-001)	25-002-102 - (431212-001)	25-002-103 - (431213-001)	25-002-104 - (431214-001)



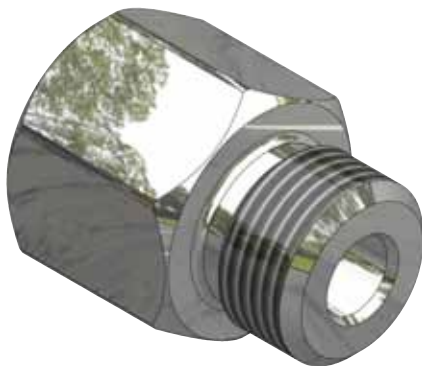
ITEM	QTY	PART #	DESCRIPTION
1	1	25-002-400	Valve Seat Cartridge - Weatherford Type 431191-001
2	1	25-002-402	Suction Valve - Weatherford Type 431186-001
3	1	25-002-403	Discharge Valve - Weatherford Type 431088-001
4	1	25-002-404	Fluid Cylinder Seal - Aluminum Weatherford Type 431105-001
5	1	25-002-405	UPGRADE - Fluid Cylinder Seal - Stainless Weatherford Type 431195-002
6	2	25-002-408	Valve Spring - FE85 & FE145 - Weatherford Type 411145-001
7	1	30-001-222	O-Ring
8	1	30-001-217	O-Ring



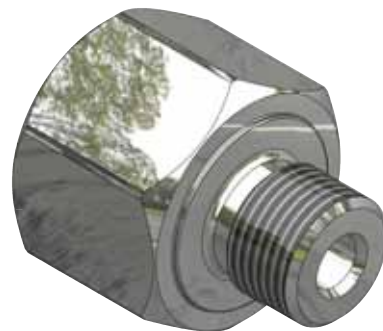
25-002-406



25-002-411



25-002-412



Part ID	Part Type	Description
25-002-311	Weatherford	PLUNGER, 7/8" COLOMONY #75 WEATHERFORD TYPE (431084-001-SPECIAL)
25-002-400	Weatherford	VALVE SEAT CARTRIDGE, WEATHERFORD TYPE (431191-001)
25-002-400-1	Weatherford	VALVE SEAT CARTRIDGE, 15-5 SS (H-1075) BLANK (1.231 X 2.250 X 4.250)
25-002-401	Weatherford	FLUID CYLINDER, WEATHERFORD TYPE (431135-001)
25-002-402	Weatherford	SUCTION VALVE, WEATHERFORD TYPE (431186-001)
25-002-403	Weatherford	DISCHARGE VALVE, WEATHERFORD TYPE (431088-001)
25-002-404	Weatherford	FLUID CYLINDER SEAL, ALUMINUM WEATHERFORD TYPE (431105-001)
25-002-404-1	Weatherford	FLUID CYLINDER SEAL, ALUMINUM ROUGH BLANK
25-002-405	Weatherford	FLUID CYLINDER SEAL, STAINLESS STEEL WEATHERFORD TYPE (431105-002)
25-002-405-1	Weatherford	FLUID CYLINDER SEAL, STAINLESS STEEL ROUGH BLANK
25-002-406	Weatherford	ADAPTER, 1-1/16" MALE BOSS X 1/2" NPTM DISCHARGE (WEATHERFORD TYPE: 431106-001)
25-002-407	Weatherford	SUCTION ADAPTER, WEATHERFORD TYPE (431165-001)
25-002-408	Weatherford	SPRING, FE85 & FE145 SUCTION/DISCHARGE VALVE (WEATHERFORD TYPE: 411145-001)
25-002-409	Weatherford	CARTRIDGE NUT, SMALL FE85 & FE145 PACKING (431081-001)
25-002-410	Weatherford	CARTRIDGE NUT, LARGE FE85 & FE145 PACKING (431082-001)
25-002-411	Weatherford	BUSHING, 1-1/16" MALE BOSS X 1/2" NPTF DISCHARGE (WEATHERFORD TYPE: 431106-002)
25-002-412	Weatherford	ADAPTER, 3/4" MALE BOSS X 1/2" NPTF H/D GUAGE (WEATHERFORD TYPE: 430384-001)
25-002-600	Weatherford	WIPER RING, (WEATHERFORD TYPE: 411091-001)
25-002-601	Weatherford	WIPER RING, (WEATHERFORD TYPE: 411092-001)
25-002-602	Weatherford	WIPER RING, (WEATHERFORD TYPE: 411110-001)
25-002-603	Weatherford	WIPER RING, (WEATHERFORD TYPE: 411093-001)
25-002-604	Weatherford	WIPER RING, (WEATHERFORD TYPE: 411094-001)
25-002-110	Weatherford	PACKING SET, 57MM (2.244" I.D.) X 1/4" C/S 15 RING WEATHERFORD T40
25-002-112	Weatherford	PACKING SET, 1-5/8" I.D. X 2-1/4" O.D. X .312 C/S 2-RING GASO/WHEATLEY
25-002-113	Weatherford	PACKING SET, 1" I.D. X 1-1/2" O.D. X .250 C/S 6-RING GASO/WHEATLEY